

GRAVELLY[®]

**CONVERTIBLE 7.6
ILLUSTRATED
PARTS LIST**

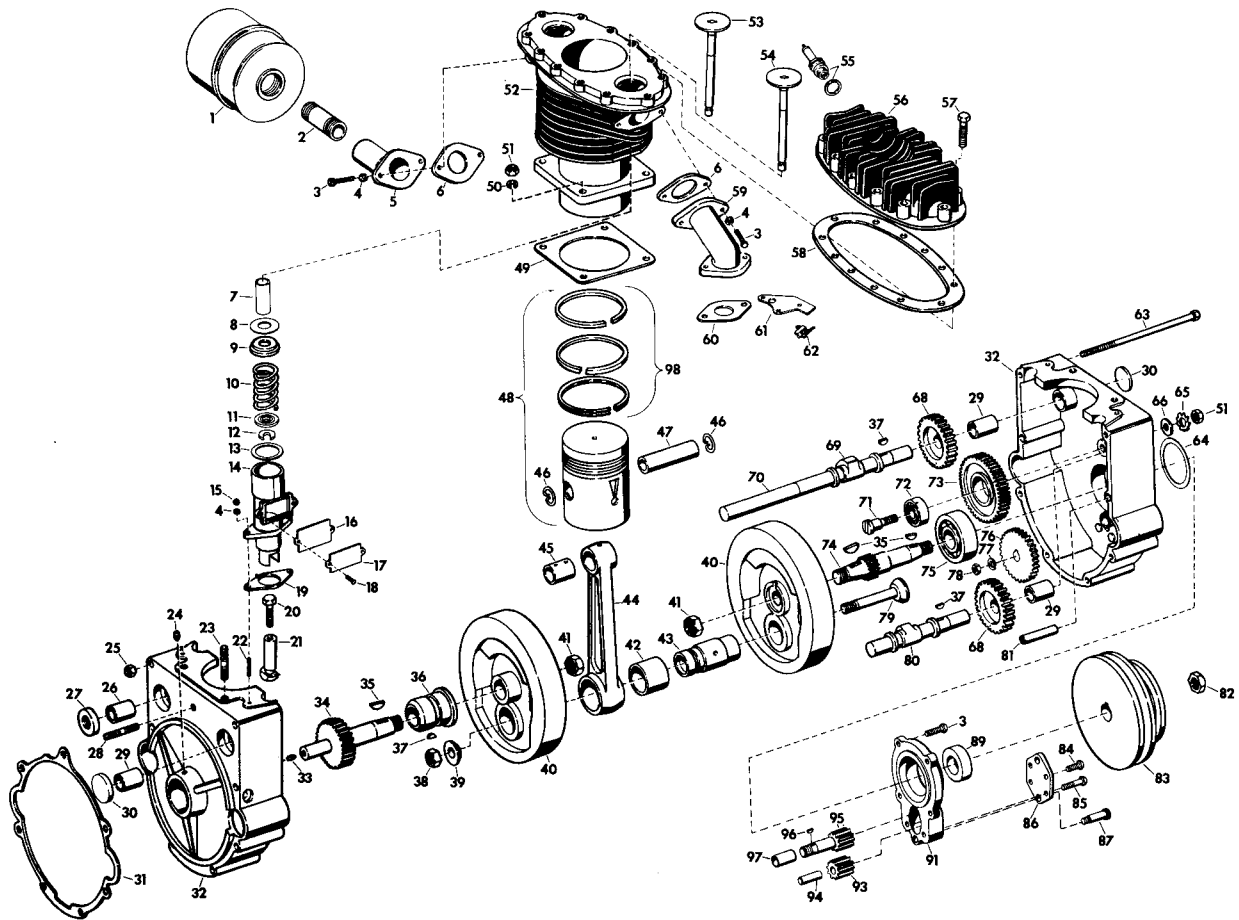
www.oldgravelys.net

 **GRAVELLY**

INDEX

ENGINE	1
GOVERNOR COOLING & REAR HITCH	3
STARTER	5
FUEL SYSTEM	6
MAGNETO & OIL SYSTEM	8
TRANSMISSION	10
SWIFTAMATIC DIFFERENTIAL	13
ATTACHMENT CLUTCH CONTROL	15
HOOD & CONTROLS	16

ENGINE

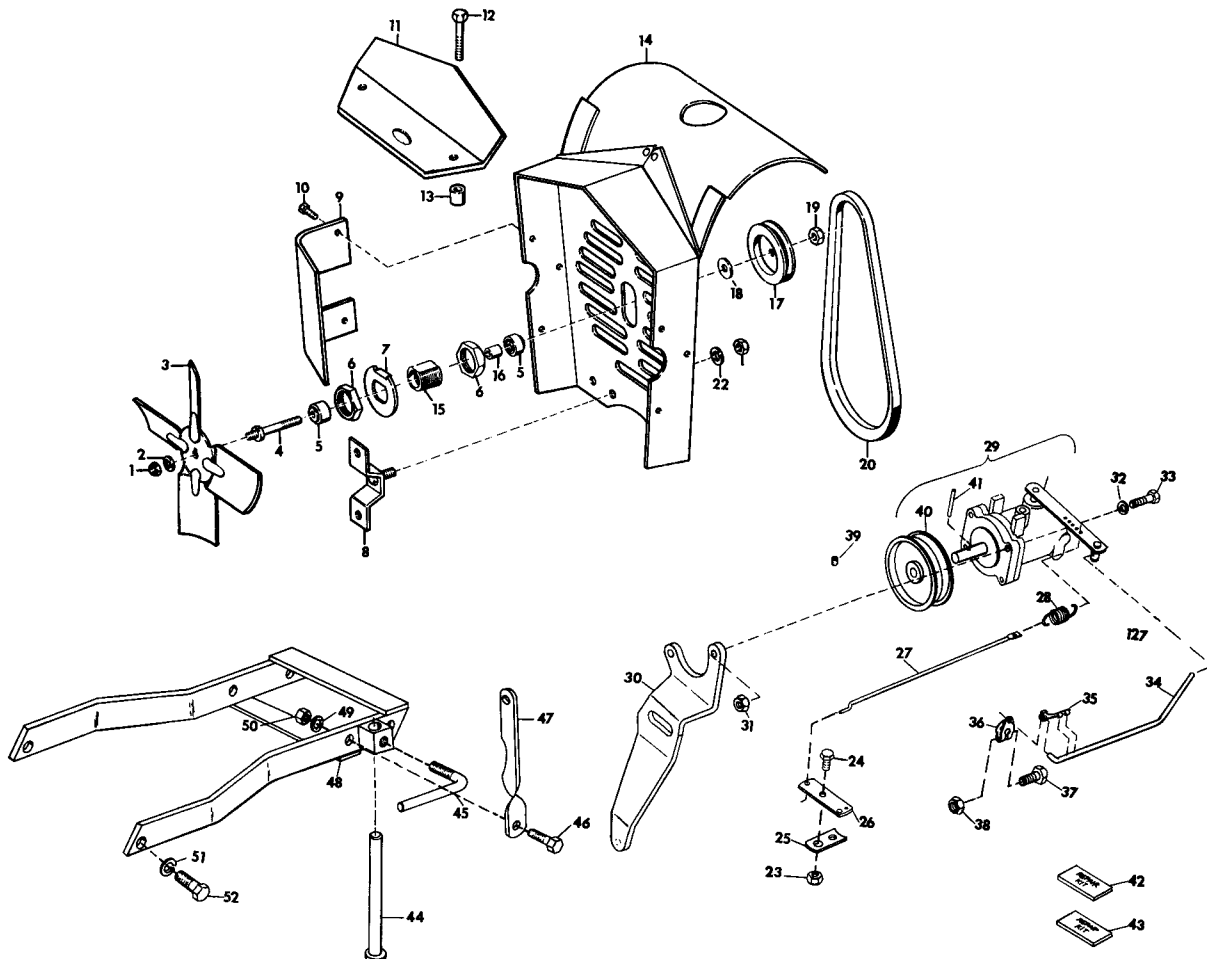


<u>ITEM NO.</u>	<u>PART NO.</u>	<u>DESCRIPTION</u>
1	8227P1	Muffler
2	13415P1	1" Pipe Nipple
3	180020	1/4-20 x 3/4 Hex Hd. Bolt
4	120423	1/4 Lockwasher
5	12606P1	Exhaust Manifold
6	12621P1	Exhaust Manifold Gasket
7	12736P1	Intake Valve Guide
	13879P1	Valve Guide .005
NS	12737P1	Exhaust Guide
8	12731P1	Valve Spring Washer Gasket
9	12738P1	Valve Spring Locator
10	12613P1	Valve Spring
11	5741P1	Valve Spring Cap
12	5742P1	Valve Spring Cap Key
13	12732P1	Upper Cover Gasket
14	12616P1	Guide & Cover
15	120613	1/4-28 Hex Jam Nut
16	12734P1	Valve Cover Gasket
17	12733P1	Valve Cover Cap
18	121749	8-32 x 5/16 Slotted Rd Hd Machine Screw
19	18318P1	Gasket
20	12735P1	Tappet Screw
21	12617P1	Valve Plunger
22	12618P1	Guide Stud
23	12608P1	Cylinder Stud
24	102570	1/4-20 x 3/8 Socket Hd Set Screw
25	120376	5/16-18 Hex Nut
26	12619P1	Cam Shaft Bushing

<u>ITEM NO.</u>	<u>PART NO.</u>	<u>DESCRIPTION</u>
27	12622P1	Cam Shaft Oil Seal
28	12607P1	Cylinder Stud
29	12631P1	Cam Shaft Bushing Bearing
30	12624P1	Expansion Plug
31	12592P1	Chassis Rear Gasket
32	10122A1	Crankcase Complete
33	102591	3/8-16 x 1/4 Allen Set Screw
34	12580P1	Drive Pinion Shaft
35	124549	#9 Woodruff Key
36	12583P1	Drive Pinion Bearing
	13804P1	Drive Pinion Bearing .005
	13805P1	Drive Pinion Bearing .010
37	124546	#6 Woodruff Key
38	124934	1/2-20 Hex Jam Nut
39	12579P1	Spreader Bolt Washer
40	12576P1	Fly Wheel
41	12582P1	Fly Wheel Nut
42	12610P1	Connecting Rod Bushing
43	12577P1	Crank Pin
	11882P1	Oversize Crank Pin
44	10124A1	Connecting Rod
45	12609P1	Connecting Rod Bushing
46	13076P1	Piston Pin Lock
47	12075P1	Piston Pin
48	14592A1	Piston Assembly (Includes 46 & 47)
	14050A1	Piston .005
	14051A1	Piston .010
	14052A1	Piston .015
	14053A1	Piston .020
	14054A1	Piston .025
	14055A1	Piston .030
49	12614P1	Cylinder Bottom Gasket
50	120382	3/8 Lockwasher
51	120369	3/8-24 Hex Nut
52	15366A1	Cylinder/Valve Guide with Seats Assy.
53	12612P1	Exhaust Valve
54	12611P1	Inlet Valve
55	10965P1	Spark Plug
56	10877P1	Cylinder Head
57	180082	5/16-18 x 1-3/8 Hex Hd Bolt
58	5735P1	Cylinder Head Gasket
59	12605P1	Intake Manifold
60	12998P1	Carburetor Gasket
61	7176P1	Manual Choke Bracket
62	7331P1	Speed Clip
63	189300	5/16-18 x 5-1/2 Hex Hd Bolt
64	7106P1	Axle Bearing Cap Shim .020
	7107P1	Axle Bearing Cap Shim .005
65	138542	3/8 Internal Tooth Lockwasher
66	120394	13/32 Flatwasher
68	12623P1	Cam Shaft Gear
69	12615P1	Exhaust Cam Shaft
70	12698P1	Magneto Shaft Extension
71	12627P1	Idle Gear Bearing Stud
72	12626P1	Idle Gear Bearing
73	12625P1	Idle Gear
74	12581P1	Timing Pinion Shaft
75	12984P1	Timing Pinion Bearing
76	12628P1	Oil Pump Drive Gear
77	120381	3/8 Spring Type Lockwasher
78	124925	3/8-24 x 7/32 Hex Jam Nut

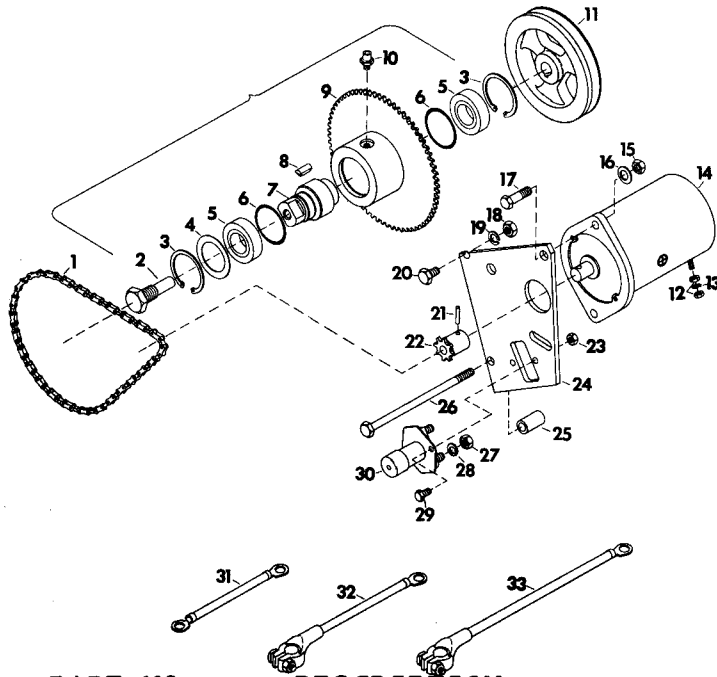
<u>ITEM NO.</u>	<u>PART NO.</u>	<u>DESCRIPTION</u>
79	12578P1	Spreader Bolt
80	12630P1	Intake Cam Shaft
81	12584P1	Crank Case Dowell
82	121358	5/8-18 Hex Nut
83	5745A1	Fan Drive Pulley
84	180016	1/4-20 x 1/2 Hex Head Bolt
85	180033	1/4-20 x 1-3/8 Hex Head Bolt
86	12716P1	Pump Cap
87	12152P1	Hex Socket Head
89	13491P1	Bearing Cap Seal
91	18073P1	Bearing and Pump Body
93	12720P1	Oil Pump Idle Gear
94	12721P1	Idle Gear Stud
95	12719P1	Oil Pump Master Gear
96	431788	#201 Woodruff Key
97	12629P1	Oil Pump Bearing Bushing
98	14594A1	Ring Set Standard
	14595A1	Ring Set .005
	14596A1	Ring Set .010
	14597A1	Ring Set .015
	14598A1	Ring Set .020
	14599A1	Ring Set .025
	14600A1	Ring Set .030
NS	13452P1	Starter Strap
NS	10895A1	7.6 H. P. Service Engine

GOVERNOR COOLING AND HITCH



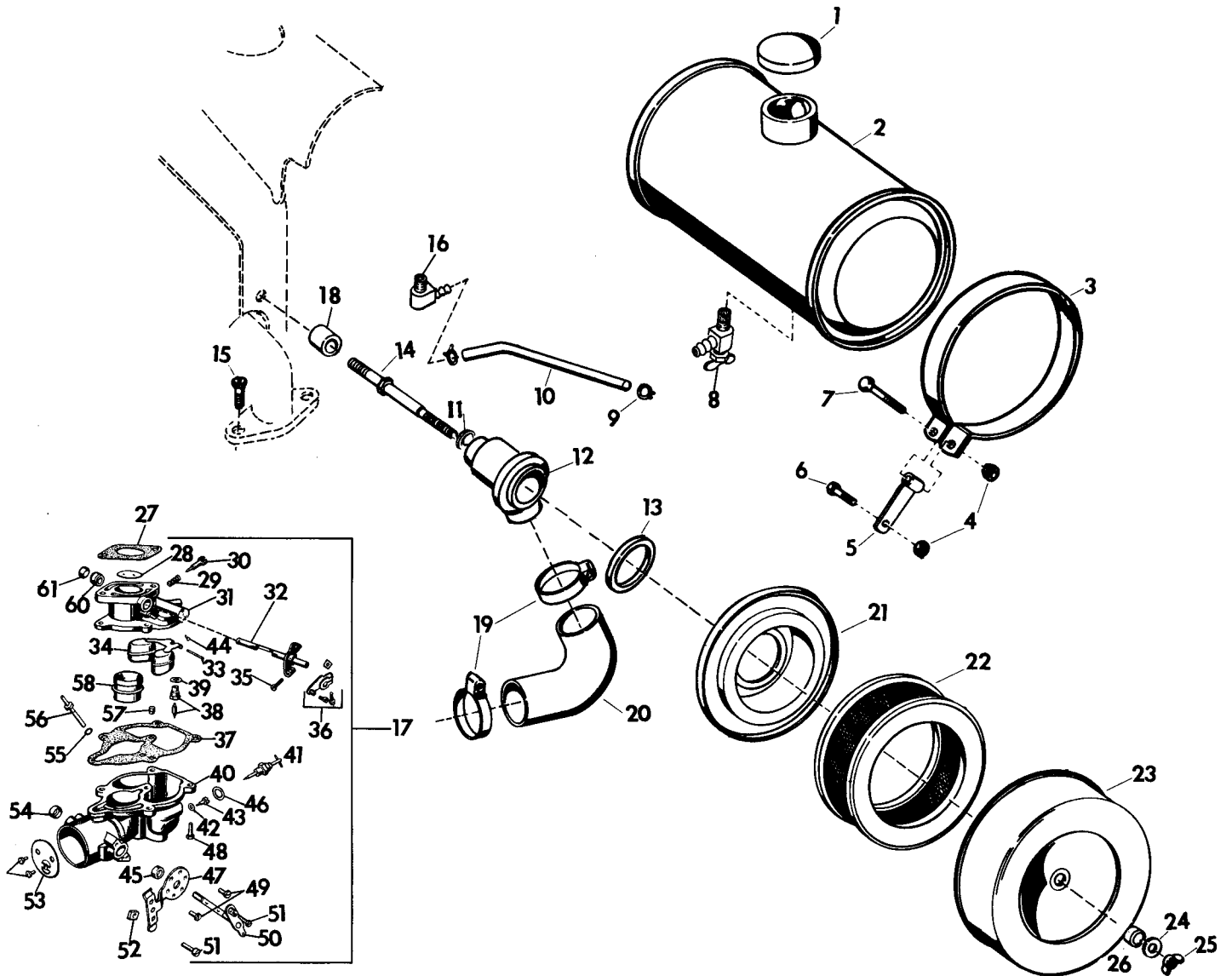
<u>ITEM NO.</u>	<u>PART NO.</u>	<u>DESCRIPTION</u>
1	120369	3/8-24 Hex Nut
2	138542	3/8 Internal Tooth Lockwasher
3	12397P1	Fan Blade Blank
4	5137P1	Fan Shaft
5	5139P1	Fan Ball Bearing
6	5134P1	Fan Bearing Nut
7	12709P1	Fan Bearing Lockwasher
8	10145A1	Fan Housing Bracket Weldment
9	12711P1	Cyl. Air Deflector Right Side
NS	12712P1	Cyl. Air Deflector Left Side
10	167257	1/4-20 x 1/2 Phillips Pan Head
11	10881P1	Cylinder Head Deflector
12	180087	5/16-18 x 2 Hex Hd Bolt
13	12713P1	Deflector Spacer
14	10150A2	Fan Housing
15	5133P1	Fan Bearing Housing
16	5165P1	Fan Bearing Spacer
17	12696P1	Fan Pulley
18	120386	5/16 Flat Washer
19	120368	5/16-24 Hex Nut
20	5163P1	Fan Belt
21	120238	1/2-13 Hex Jam Nut
22	120384	1/2 Spring Type Lockwasher
23	9413314	1/4 Full Conelock Nut
24	9415796	1/4 x 1/2 Hex Hd Bolt
25	12136P1	Governor Control Bracket
26	12137P1	Governor Control Arm
27	12135P1	Governor Control Link
28	12138P1	Governor Spring
29	12143A1	Governor Asm. With Pulley
30	12133P1	Mounting Bracket
31	120367	1/4-28 Hex Nut
32	120380	1/4 Lockwasher
33	181573	1/4-28 x 1-1/4 Hex Hd Bolt
34	10945P1	Governor Throttle Rod
35	11881P1	Throttle Rod Clip
36	12140P1	Carburetor Bee Crank
37	454065	10-32 x 3/4 Hex Hd Machine Screw
38	120611	10-32 Square Nut
39	12145P1	Hub Cable Stop
40	12146P1	Pulley
41	9422863	Roll Pin
42	12141P1	Seal Repair Kit No. 269
43	12142P1	Main Shaft Assembly Complete No. 268
44	6027A1	Sprayer Tank Stand
45	13457P1	Handle
46	180121	3/8-16 x 7/8 Hex Hd Bolt
47	12554P1	Rear Hitch Brace
48	10161A1	Weld Box Frame
49	133542	3/8 Internal Tooth Lockwasher
50	120377	3/8-16 Hex Nut
51	120384	1/2 Spring Type Lockwasher
52	180175	1/2-13 x 1-1/4 Hex Hd Bolt

STARTER



<u>ITEM NO.</u>	<u>PART NO.</u>	<u>DESCRIPTION</u>
1	13483P1	Sprocket Chain
2	12111P1	Special Starter Bolt
3	13581P1	Retaining Ring
4	13324P1	Ball Bearing Shim
5	12493P1	Ball Bearing
6	12900P1	Clutch Spring
7	12112P1	Drive Nut
8	12899P1	Cam Roller
9	10198A1	Sprocket Weldment
10	12902P1	Starter Clutch Plug
11	13333P1	Fan Drive Pulley
12	114501	1/4 Hex Jam Nut
13	103319	1/4 Lock Washer
14	12896P1	Starter Motor
15	120377	3/8 Hex Nut
16	120394	13/32 Flatwasher
17	180124	3/8 - 16 x 1 1/4 Hex Hd. Bolt
18	120376	5/16 - 18 Hex Nut
19	120214	5/16 Lockwasher
20	180077	5/16 - 18 x 3/4 Hex Hd. Bolt
21	456652	3/16 x 7/8 Spring Pin
22	12891P1	Motor Sprocket
23	120375	1/4 - 20 Hex Nut
24	12892P1	Motor Plate
25	12905P1	Starter Motor Plate Spacer
26	127802	5/16 - 18 x 7 Hex Hd. Bolt
27	114502	5/16 Hex Jam Nut
28	103320	5/16 Lockwasher
29	180018	1/4 - 20 x 5/8 Hex Hd. Bolt
30	13484P1	Foot Switch
31	12897P1	Starter Switch Cable
32	6980P1	Ground Cable
33	12895P1	Ground Cable
34	10183A1	Starter Clutch Assembly
NS	14103P1	Master Link

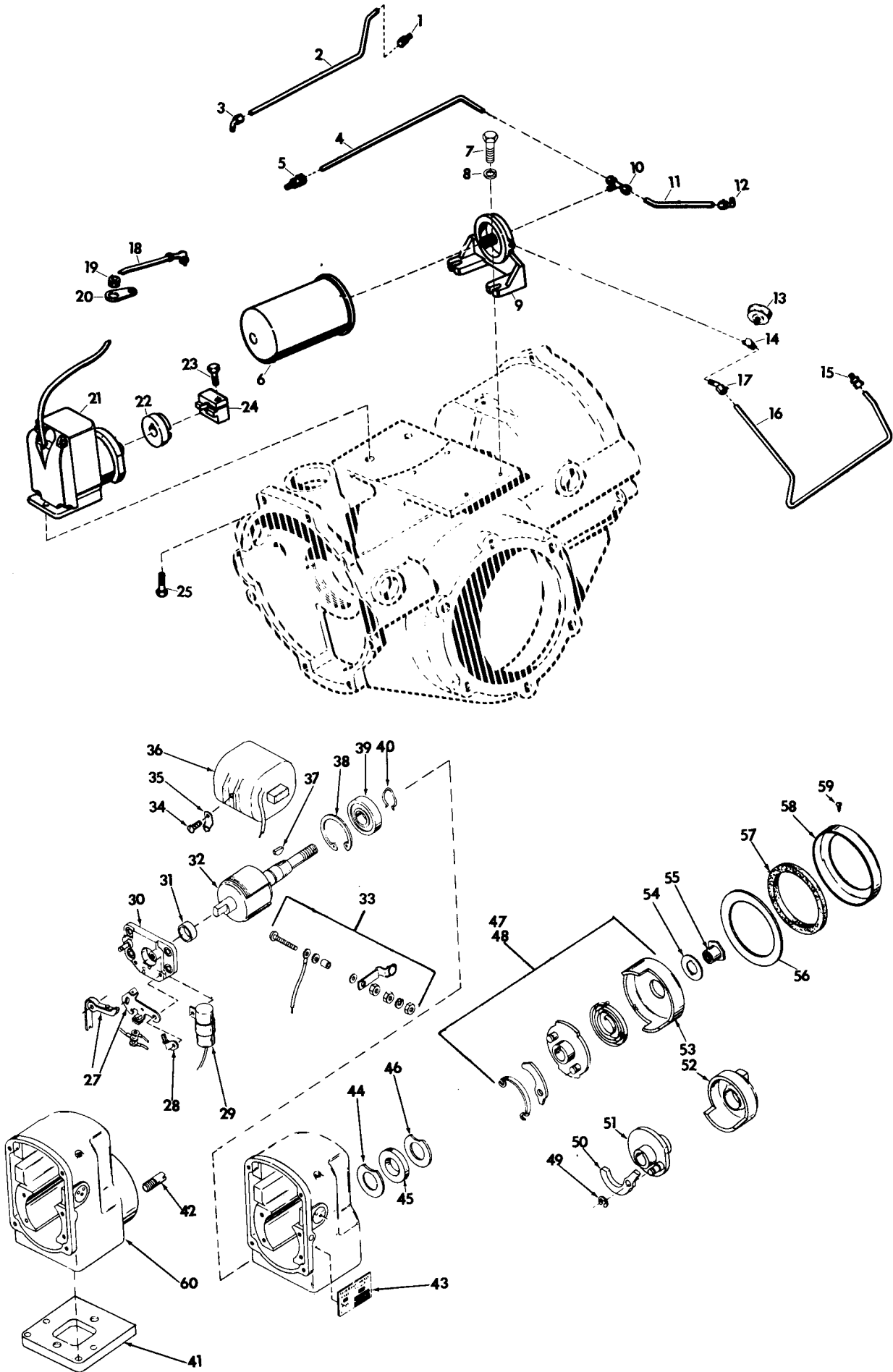
FUEL SYSTEM



<u>ITEM NO.</u>	<u>PART NO.</u>	<u>DESCRIPTION</u>
1	2505P1	Gas Tank Cap
2	10148A1	Tank
3	10357P1	Tank Band
4	190139	5/16-24 Washer Insert Locknut
5	13503P1	Anchor Bracket
6	181596	5/16-24 x 7/8 Hex Hd Bolt
7	13625P1	5/16-24 x 2-1/2 Hex Hd Bolt
8	7354P1	Valve and Strainer
9	7216P1	Fuel Hose Clamp
10	10896P1	Line
11	120214	5/16 Spring Type Lockwasher
12	10898P1	Air Cleaner Mounting Bracket
13	12710P1	Gasket

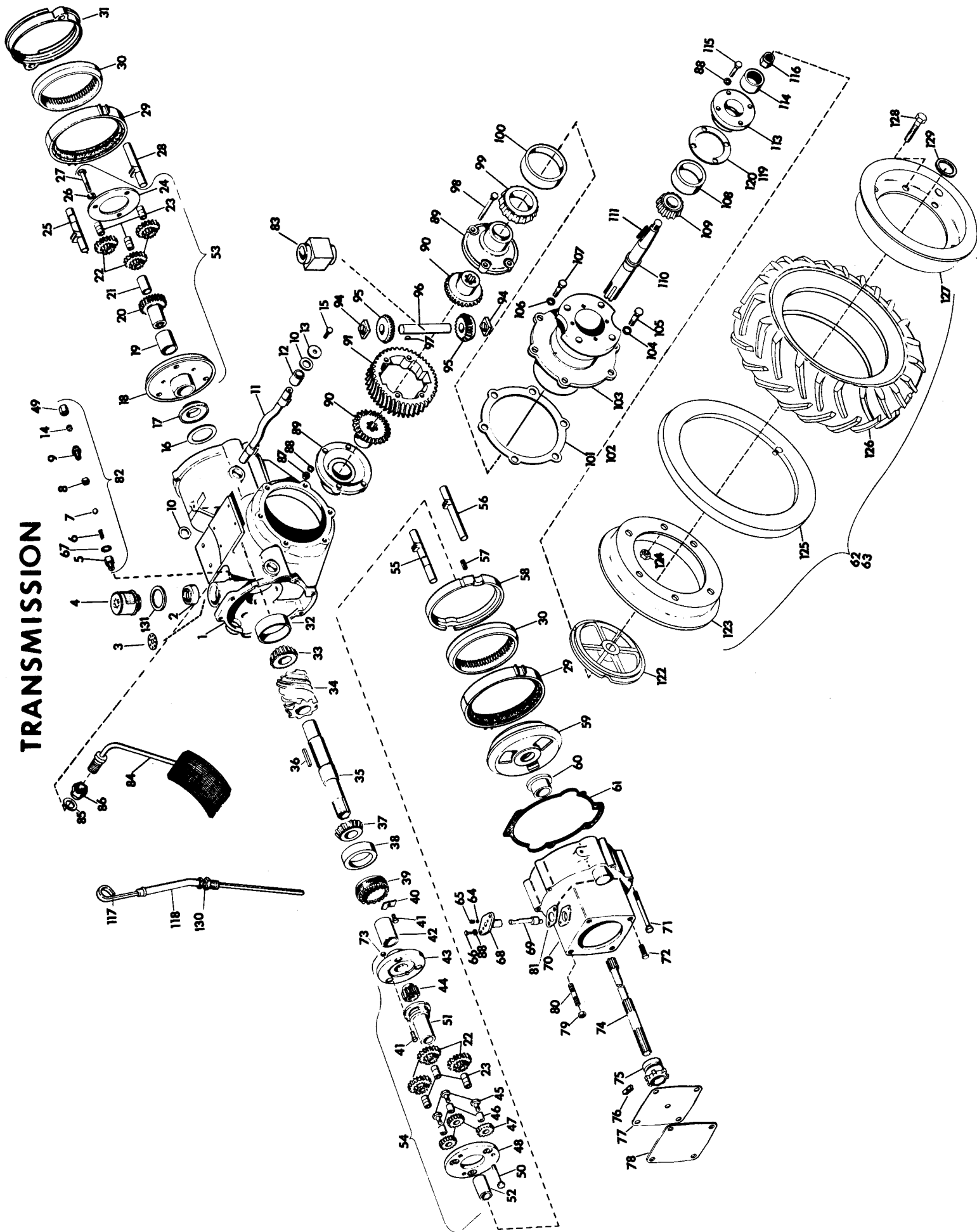
<u>ITEM</u> <u>NO.</u>	<u>PART NO.</u>	<u>DESCRIPTION</u>
14	10897P1	Air Cleaner Mounting Bolt
15	180077	5/16-18 x 3/4 Hex Hd Bolt
16	13501P1	Elbow
17	10878A1	Carburetor
18	10980P1	Spacer
19	13031P1	Clamp
20	10902P1	Air Cleaner Hose
21	10899P1	Air Cleaner Mounting Base
22	10900P1	Air Cleaner Element
23	10901P1	Air Cleaner Cover
24	120386	5/16 Flatwasher
25	10413P1	1/4-20 Washer Insert Wingnut
26	10905P1	Sealing Washer
27	12998P1	Gasket
28	13739P1	Throttle Plate
29	14185P1	Spring
30	13700P1	Idle Adjustment Needle
31	14222P1	Throttle Body Assembly
32	14223P1	Throttle Shaft & Lever Assembly
33	13710P1	Float Axle
34	13720P1	Float Assembly
35	13940P1	Throttle Stop Screw
36	13742P1	Clamp Lever Assembly
37	13736P1	Body Gasket
38	13757P1	Fuel Valve Assembly
39	13926P1	Fuel Valve Washer
40	13693P1	Fuel Bowl
41	13717P1	Main Jet Adjustment
42	13928P1	Washer
43	13750P1	Main Jet
44	13752P1	Idle Jet
45	13731P1	Retainer
46	13927P1	Main Jet Adjustment Washer
47	13728P1	Choke Bracket
48	13938P1	Bowl & Body Screw
49	13734P1	Bracket Mounting Screw
50	13725P1	Choke Shaft & Lever Assembly
51	13932P1	Screw
52	13922P1	Nut
53	13722P1	Choke Plate
54	14196P1	Cup Plug
55	13929P1	Washer
56	13755P1	Discharge Jet
57	13719P1	Well Vent
58	13699P1	Venturi
60	13703P1	Throttle Shaft Bushing
61	12730P1	Plug, Shaft Hole
NS	19182P1	Decal Safety First
NS	10862P2	Decal Air Cleaner

MAGNETO AND OIL SYSTEM



<u>ITEM NO.</u>	<u>PART NO.</u>	<u>DESCRIPTION</u>
1	13022P1	Pump Supply Connector
2	12700P1	Oil Intake Line
3	13067P1	Elbow
4	8259P1	Oil Line
5	10137A1	Relief Valve
6	12722P1	Oil Filter
7	180021	1/4 - 20 x 1 Hex Hd. Bolt
8	120386	5/16 Flatwasher
9	12723P1	Oil Filter Bracket
10	13065P1	Discharge Line Tee
11	12725P1	Oil Line
12	13507P1	Elbow
13	10449P1	Pressure Gauge
14	13064P1	Oil Gauge Adapter
16	12724P1	Oil Line
17	13066P1	Elbow
18	1731P1	Spark Plug Wire
19	12325P1	Grommet
20	12708P1	Cable Bracket
21	13500P1	Magneto
22	12697P1	Magneto Fiber Float Member
23	180082	5/16 - 18 x 1 3/8 Hex Hd. Bolt
24	12699P1	Magneto Coupling
25	180122	3/8 - 16 x 1 Hex Hd. Bolt
27	12979P1	Point Set ccw
28	19103P1	Cam Wick
29	13909P1	Condenser
30	19100P1	Bearing Support
31	19101P1	Cam & Bearing
32	19102P1	Rotor
33	19104P1	Switch Assembly
34	19105P1	Clip Screw, 6-32 x 1/4
35	19106P1	Coil Clip
36	13884P1	Coil
37	19107P1	Key
38	19108P1	Bearing Snap Ring
39	19109P1	Drive End Bearing
40	19110P1	Bearing Snap Ring
41	19111P1	Base Plate
42	19113P1	Pawl Stop Pin
43	19114P1	Name Plate
44	19115P1	Seal Inner Washer
45	19116P1	Shaft Seal
46	19117P1	Seal Outer Washer
47	19118P1	Coupling Complete
48	19130P1	Coupling Complete
49	19119P1	Pawl Snap Ring
50	19120P1	Coupling Pawl
51	19121P1	Hub Assembly
52	19122P1	Coupling Shell
53	19123P1	Coupling Shell
54	19124P1	Coupling Nut Lockwasher
55	19125P1	Coupling Nut
56	19126P1	Shell Flat Washer
57	19127P1	Shell Felt Washer
58	19128P1	Shell Cupped Washer
59	19129P1	Cupped Washer Screw
60	19112P1	Housing

TRANSMISSION



<u>ITEM NO.</u>	<u>PART NO.</u>	<u>DESCRIPTION</u>
1	10388P1	Chassis
2	12593P1	Oil Filler Neck
3	12727P1	Filler Neck Baffle
4	10884A2	Oil Breather
5	8231P1	Body
6	12702P1	Spring
7	13570P1	Ball
8	272123	7/16 - 20 Hex Jam Nut
9	8230P1	Relief Valve Connector
10	10663P1	"O" Ring
11	12681P1	Clutch Actuating Shaft
12	10618P1	Bushing
13	12694P1	Washer
14	13572P1	Sleeve
16	13423P1	Shim
17	12645P1	Rear Thrust Plate
18	10472A1	Rear Pin Plate Assembly
19	12652P1	Rear Pin Plate Bushing
20	11707A1	Sun Gear Bushing Assembly
21	14220P1	Sun Gear Bushing
22	12639P1	Orbit Gear
23	12640P1	Pin Bronze Orbit
24	12641P1	Pin Spacer
25	12680P1	Clutch Slide Rod
26	13413P1	Lockwasher, L. H.
27	12642P1	Spacer Bolt, L. H.
28	12679P1	Clutch Slide Rod
29	12644A1	Clutch Cup Assembly
30	12632P1	Internal Gear
31	12649P1	Rear Spacer
32	10390P1	Roller Bearing Cup
33	10389P1	Roller Bearing Cone
34	13494P1	Worm 4 Lead
	13495P1	Worm 6 Lead
	13496P1	Worm 8 Lead
35	12647P1	Worm Shaft
36	12668P1	Worm Key
37	12332P1	Roller Bearing Cone
38	12333P1	Roller Bearing Cup
39	12635P1	Model L Bearing Adg. Nut
40	12648P1	Adjusting Nutlock
41	180018	1/4 - 20 X 5/8 Hex Hd. Bolt
42	12663P1	Spring Pin Plate Spacer
43	12633P2	Model L Front Pin Plate
44	12637P1	Sun Pinion
45	12658P1	Reverse Idler Bolt
46	12657P1	Reverse Idler Bushing
47	12656P1	Reverse Idler
48	12655P1	Front Pin Spacer
49	13571P1	Nut
50	12643P1	Spacer Bolt (R.H.)
51	14923A1	Quill Bushing Assembly
52	12662P1	Pinion Shaft Bearing
53	15947A1	Pin Plate Orbit Gear Assembly
54	14922A1	Forward-Reverse Planetary Assembly
55	12678P1	Clutch Slide Rod
56	12677P1	Clutch Slide Rod
57	13456P1	Roller Pin
58	12636P1	Model L Gear Cup

<u>ITEM NO.</u>	<u>PART NO.</u>	<u>DESCRIPTION</u>
59	12654P1	Reverse Gear Cone
60	14921A1	Thrust Bushing Assembly
61	12591P1	Chassis Front Gasket
62	10141A1	Sure Grip Wheel Assembly
63	10142A1	Diamond Tread Wheel Assembly
64	1809P1	Locator Ball
65	12586P1	Attachment Throwout Spring
66	180075	5/16-18 x 5/8 Hex Hd Bolt
67	6732P1	"O" Ring
68	10687P2	Shipper Shaft Guide
69	12661P1	Shipper Shaft
70	17186A1	Advance Casting Assembly
71	180735	5/16 - 18 X 3 1/4 Hex Hd. Bolt
72	180175	1/2 - 13 X 1 1/4 Hex Hd. Bolt
73	120375	1/4 - 20 Hex Nut
74	11298P1	Pinion Shaft
75	12660P1	Attachment Dog
76	12601P1	Trunnion Block
77	12603P1	Attachment Boss Cover Gasket
78	14908A1	Attachment Boss Cover
79	120338	1/2 - 13 Hex Nut
80	10619P1	Stud
81	18318P1	Gasket
82	10137A1	Relief Valve
83	12559P1	Thrust Block
84	10146A1	Oil Strainer
85	12707P1	Oil Strainer Nut Washer
86	124944	5/8-18 Hex Jam Nut
87	120368	5/16-24 Hex Nut
88	138538	5/16 Lockwasher
89	12129P1	Differential Housing
90	12555P1	Differential Gear
91	13497P1	Worm Gear 4 Lead
	13498P1	Worm Gear 6 Lead
	13499P1	Worm Gear 8 Lead
94	12667P1	Drive Block
95	12666P1	Spider Pinion
96	12556P1	Spider Pinion Pin
97	271089	#213 Woodruff Key
98	181623	5/16-24 x 2-3/4 Hex Hd Bolt
99	12131P1	Roller Bearing Cone
100	12130P1	Roller Bearing Race
101	12595P1	Axle Housing Shim .005
	12596P1	Axle Housing Shim .020
102	12597P1	Gasket
103	12128P1	Axle Housing
104	12594P1	Oil Drain Washer
105	13624P1	1/2-13 x 1 Hex Hd Capscrew
106	120384	1/2 Spring Type Lockwasher
107	180173	1/2-13 x 1 Hex Hd Capscrew
108	9245P1	Bearing Race
109	9246P1	Bearing Cone
110	10377P1	Standard Axle
111	12672P1	Hub Key
NS	10384P1	Gasket
113	10379P1	Bearing Cap
114	12590P1	Oil Seal

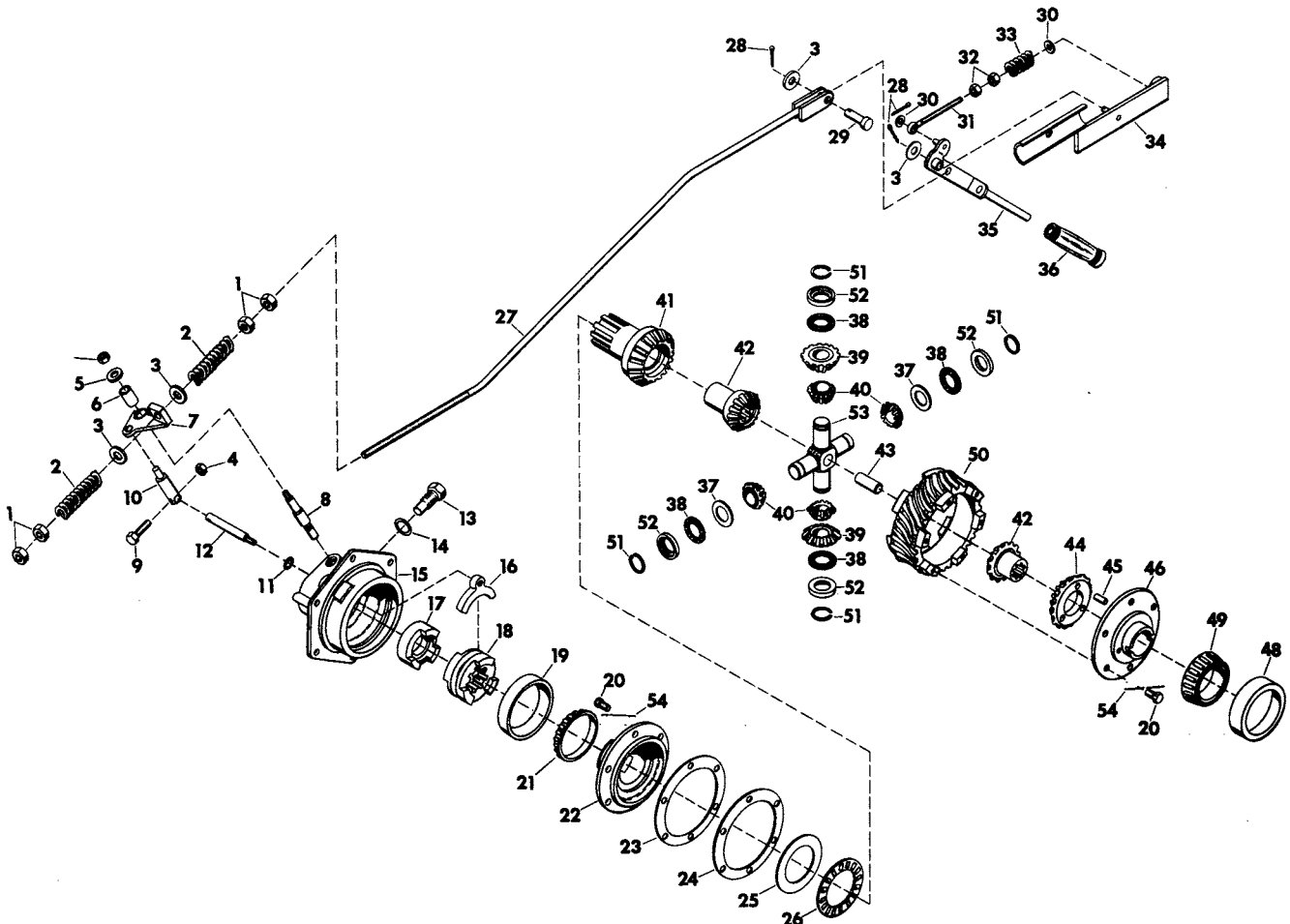
ITEM
NO.

PART NO.

DESCRIPTION

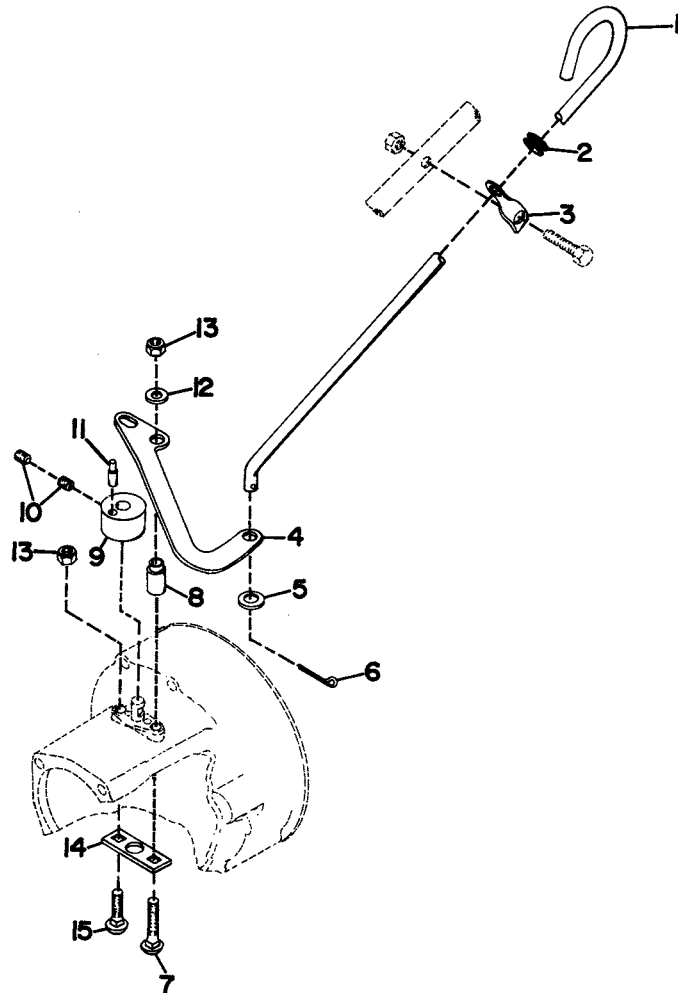
115	180077	5/16-18 x 3/4 Hex Hd Bolt
116	13412P1	5/8-18 Esna Locknut
117	10147A1	Dip Stick
118	10586P1	Dip Stick Guide
119	10382P1	Shim .020
120	10383P1	Shim .005
122	12671P1	Wheel Hub
123	12674P1	Inner Wheel Disc
124	124829	3/8 Hex Nut
125	13573P1	Tractor Tire Tube
NS	11637P1	Puncture Proof Tube
126	13835P1	Tractor Tire, Ground Grip
NS	13836P1	Tractor Tire, Diamond Tread
127	12673P1	Wheel Disc
128	9428638	3/8-16 x 5/8 Hex Hd Bolt
129	12670P1	Wheel Hub Washer
NS	15648A1	Transmission Gasket Set
130	13056P1	Fitting
131	12465P1	Washer

SWIFTAMATIC DIFFERENTIAL



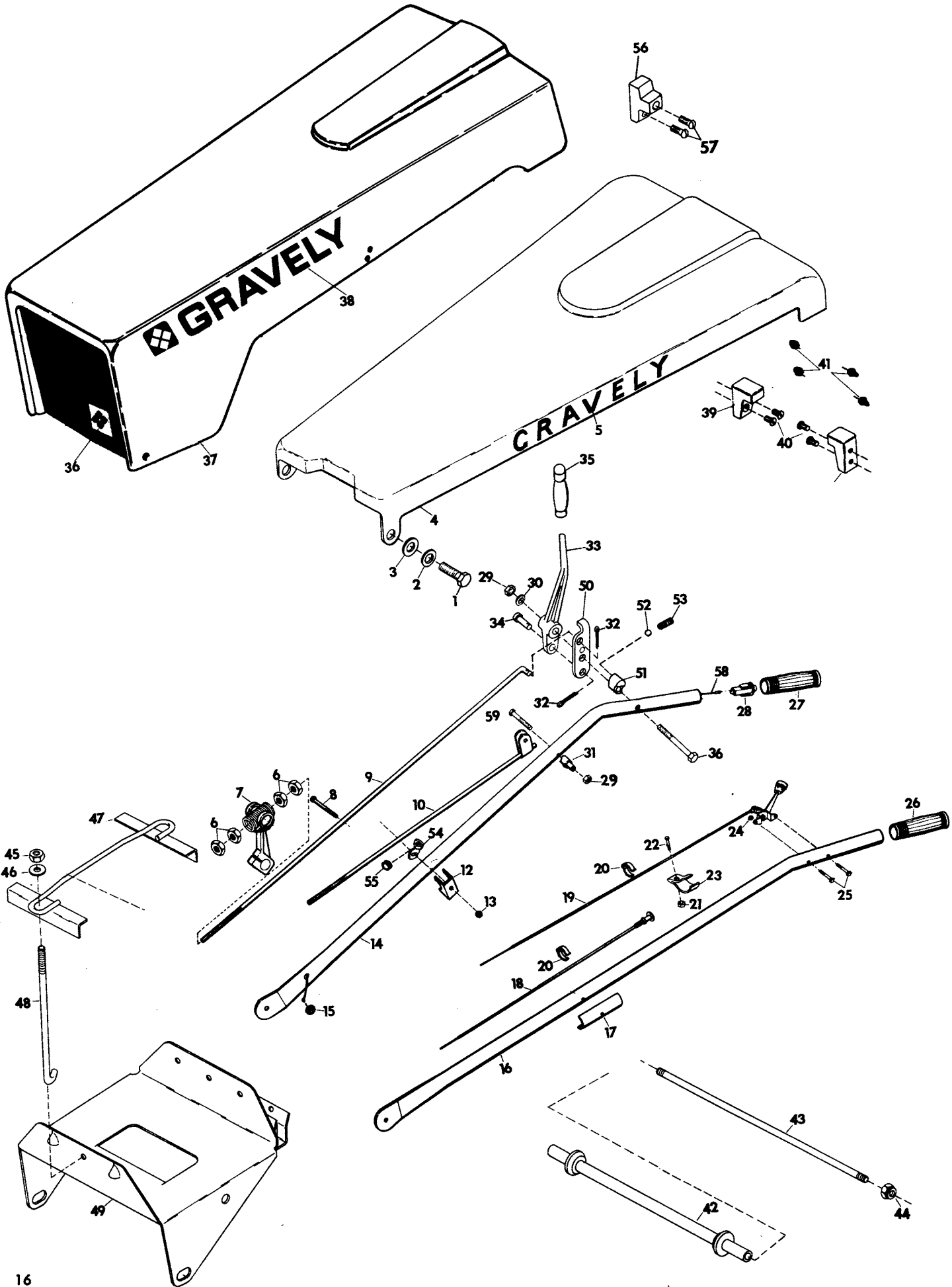
<u>ITEM NO.</u>	<u>PART NO.</u>	<u>DESCRIPTION</u>
1	120377	3/8 - 16 Hex Nut
2	6750P1	Shifting Spring
3	120394	13/32 Flatwasher
4	9413314	1/4 - 20 Locknut
5	120393	11/32 Flatwasher
6	6724P2	Pivot Bushing
7	6723A1	Shifter Arm
8	10505P1	Stationary Pivot Pin
9	180024	1/4 - 20 X 1 1/4 Hex Hd. Bolt
10	6726P1	Shifter Pin
11	6732P1	"O" Ring
12	6721P1	Clutch Sliding Pin
13	6734P2	Stationary Clutch Bolt
14	12707P1	Oil Strainer Nut Washer
15	10381P3	Axle Housing
16	6719P1	Shifting Yoke
17	11156P1	Stationary Clutch
18	11632P1	Shifting Clutch
19	12500P1	Bearing Race
20	18604P1	5/16 - 18 X 3/4 Hex Hd. Bolt
21	12501P1	Bearing Cone
22	11148P1	Clutch Housing
23	6739P1	Clutch Hsg. Worm Gear Shim .005
24	6740P1	Clutch Hsg. Worm Gear Shim .020
25	6744P1	Race
26	6743P1	Bearing
27	6758P1	Shifter Rod
28	103373	3/32 X 3/4 Cotter Pin
29	138116	3/8 X 7/8 Clevis Pin
30	120386	5/16 Flatwasher
31	6757P1	Over Center Lock Spring Guide
32	120375	1/4 - 20 Hex Nut
33	10356P1	Toggle Spring
34	6759A1	Shifting Handle Mount Bracket
35	6756A1	Shifter Lever
36	5167P1	Handle Grip
37	6742P1	Race
38	6741P1	Bearing
39	6702P1	Shifting Train Pinion
40	6708P1	Spider Gear
41	6704P1	Shifting Gear
42	6709P1	Differential Gear
43	6711P1	Thrust Pin
44	6703P1	Pinned Gear
45	6714P1	Dowel Pin
46	12126P1	Pinned Housing
48	12130P1	Roller Bearing Race
49	12131P1	Roller Bearing Cone
50	15729P1	8 Start Worm Gear
51	15733P1	Snap Ring
52	15734P1	Spacer
53	15732P1	Spider Pin
54	18605P1	Locking Wire

ATTACHMENT CLUTCH CONTROL



<u>ITEM NO.</u>	<u>PART NO.</u>	<u>DESCRIPTION</u>
1	12323P1	Shifter Rod
2	12325P1	Shifter Grommet
3	12324P1	Shifter Rod, Clevis
4	12321P1	Shifter Arm
5	120394	13/32 Washer
6	121222	3/32 x 3/4 Cotter Key
7	18706P1	5/16 - 18 x 2-1/2 Bolt
8	12322P1	Spacer
9	12319P1	Shifter Body
10	102591	3/8 - 16 x 1/4 Allen Set Screw
11	12320P1	Shifter Body Dowel
12	120393	11/32 Washer
13	9419455	5/16 - 18 Locknut
14	18704P1	Spacer
15	18705P1	5/16 - 18 x 1-1/4 Bolt

HOOD AND CONTROLS



<u>ITEM NO.</u>	<u>PART NO.</u>	<u>DESCRIPTION</u>
1	180124	3/8-16 x 1-1/4 Hex Hd Bolt
2	120388	13/32 Flatwasher
3	12704P1	Hood Spacer Washer
4	10911E1	Custom Hood (Includes Items 2,3, & 5)
5	10912P1	Custom Convertible Hood Decal
6	120369	3/8-24 Hex Nut
7	10894A1	Actuating Lever Assy.
8	189304	3/8-16 x 3 Hex Hd Bolt
9	19141P1	Clutch Rod, Long
10	13038A1	Clutch Rod, Short
11	13863P1	Clutch Rod Brace
12	12690P1	Driving Handle Bracket
13	456004	3/8-16 Washer Insert Locknut
14	12688P1	Right Handle
15	8265P1	Grommet
16	12687P1	Left Handle
17	12689P1	Handle Clamp
18	8225P1	Choke Control
19	8226P1	Throttle Control Lever
20	8260P1	Conduit Clip
21	9413314	1/4-20 Full Cone Locknut
22	121900	1/4-20 x 1 Hex Hd Bolt
23	12967P1	Control Bracket
24	190254	10-24 Nut, Washer Insert
25	436738	10-24 x 1-1/2 Pan Hd Machine Screw
26	13034P1	Handle Grip Left
27	13035P1	Handle Grip Right
28	10277P1	Stop Switch
29	190139	5/16-24 Washer Insert Locknut
30	120393	11/32 Flatwasher
31	12684P1	Hand Lever Pivot
32	121222	3/32 x 3/4 Cotter Pin
33	12683P1	Hand Lever
34	128078	3/8 x 7/8 Clevis Pin
35	5167P1	Handle Grip
36	189323	5/16 x 4 Hex Hd Bolt
36	10585P1	Super Hood Front Decal
37	11341E1	Super Hood (Includes Items 36 37 38 39 40 41
38	10942P1	Super Hood Decal
39	8280P1	Hood Stop
40	436732	10-24 x 1/2 Pan Hd Slotted Machine Screw
41	441256	10-24 Acorn Type Nut
42	8251A1	Pivot Tube Weldment
43	8252P1	Pivot Rod
44	454750	1/4 Locknut
45	120375	1/4-20 Hex Nut
46	120392	9/32 Flat Washer
47	10633P1	Battery Hold Down Clamp
48	12894P1	Hold Down Bolt
49	8261A2	Battery Bracket Weldment
50	19144P1	Bracket
51	19145P1	Detent Pivot
52	1809P1	Locator Ball
53	12586P1	Attachment Throwout Spring
54	12324P1	Shifter Rod Clevis
55	8265P1	Grommet
56	8281P1	Hood Stop
57	120910	10-24 x 3/4 Slotted Machine Screw
58	10275P1	Kill Wire
59	181623	5/16-24 x 2-3/4
NS	19536A1	7.6 Decal Pack

Form No. 19459P1, March 15, 1972 for Models

15552E1	15553E1	15554E1	15555E1
15556E1	15557E1	15558E1	15559E1
15976E1	15977E1	15978E1	15979E1
15980E1	15981E1	15982E1	15983E1
19151E1	19146E1	19147E1	19150E1
19152E1	19153E1		

PRINTED IN UNITED STATES OF AMERICA